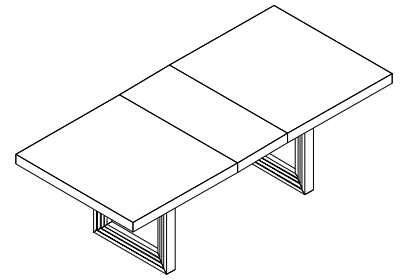


Warning :

- Be sure to check all packing material carefully for small parts, which may have come loose inside the carton during shipment.
- To prevent possible scratches and damage, this furniture **MUST BE ASSEMBLED BY TWO PEOPLE** on a soft surface such as a blanket or carpet.

Important Use Information: We recommend using coasters, placemats and trivets when placing hot or cold containers on this item. It is also recommended to quickly cleanup any spills to minimize exposure to moisture. Doing so will prolong the life and look of the item for many years.



73452
Rectangle Dining Table - Top
73449
Rectangle Dining Table - Base

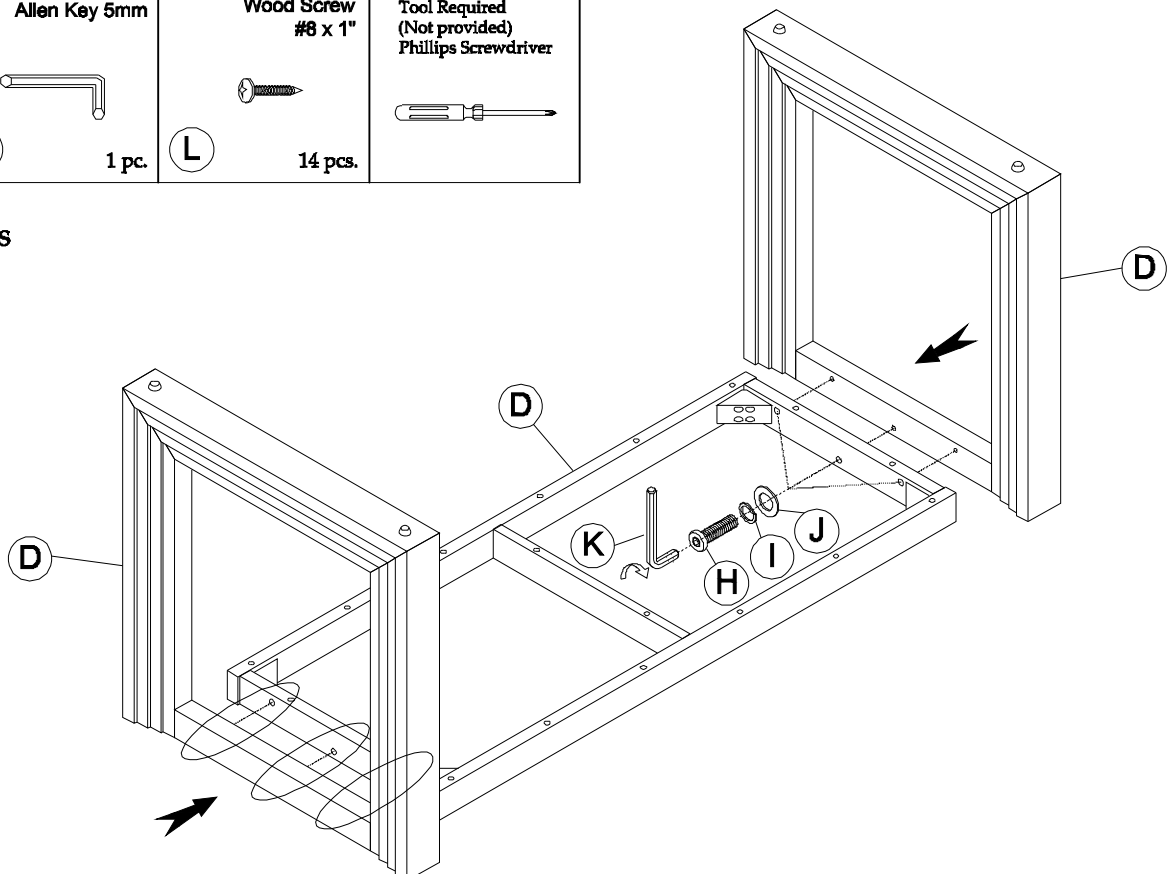
Components packed with the # 73452 Table Top

<p>Table Top</p> <p>(A) 1 pc.</p>	<p>Table Leaf</p> <p>(B) 1 pc.</p>
--	---

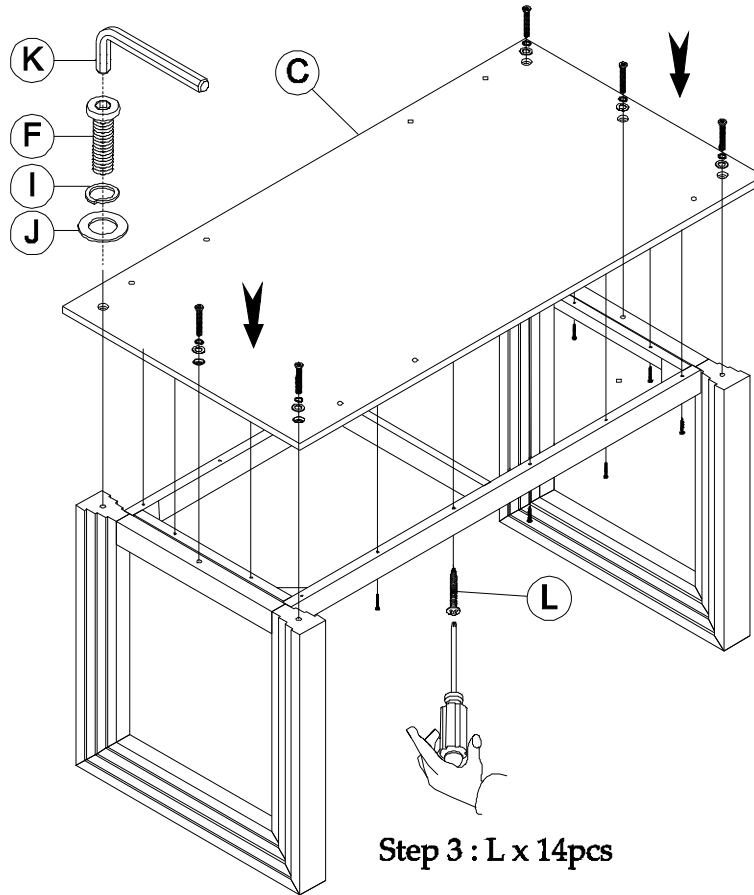
Components & Hardware packed with the # 73449 Table Base

<p>Bridge Panel</p> <p>(C) 1 pc.</p>	<p>Support Frame</p> <p>(D) 1 pc.</p>	<p>Trestle</p> <p>(E) 2 pcs.</p>	<p>Allen Head Bolt 5/16"-18 x 1-1/2"</p> <p>(F) 6 pcs.</p>	<p>Allen Head Bolt 5/16"-18 x 1-3/4"</p> <p>(G) 8 pcs.</p>	<p>Allen Head Bolt 5/16"-18 x 2"</p> <p>(H) 6 pcs.</p>	<p>Spring Washer 5/16"x12x3mm</p> <p>(I) 20 pcs.</p>
<p>Flat Washer 5/16"x19x2mm</p> <p>(J) 20 pcs.</p>	<p>Allen Key 5mm</p> <p>(K) 1 pc.</p>	<p>Wood Screw #8 x 1"</p> <p>(L) 14 pcs.</p>	<p>Tool Required (Not provided) Phillips Screwdriver</p>			

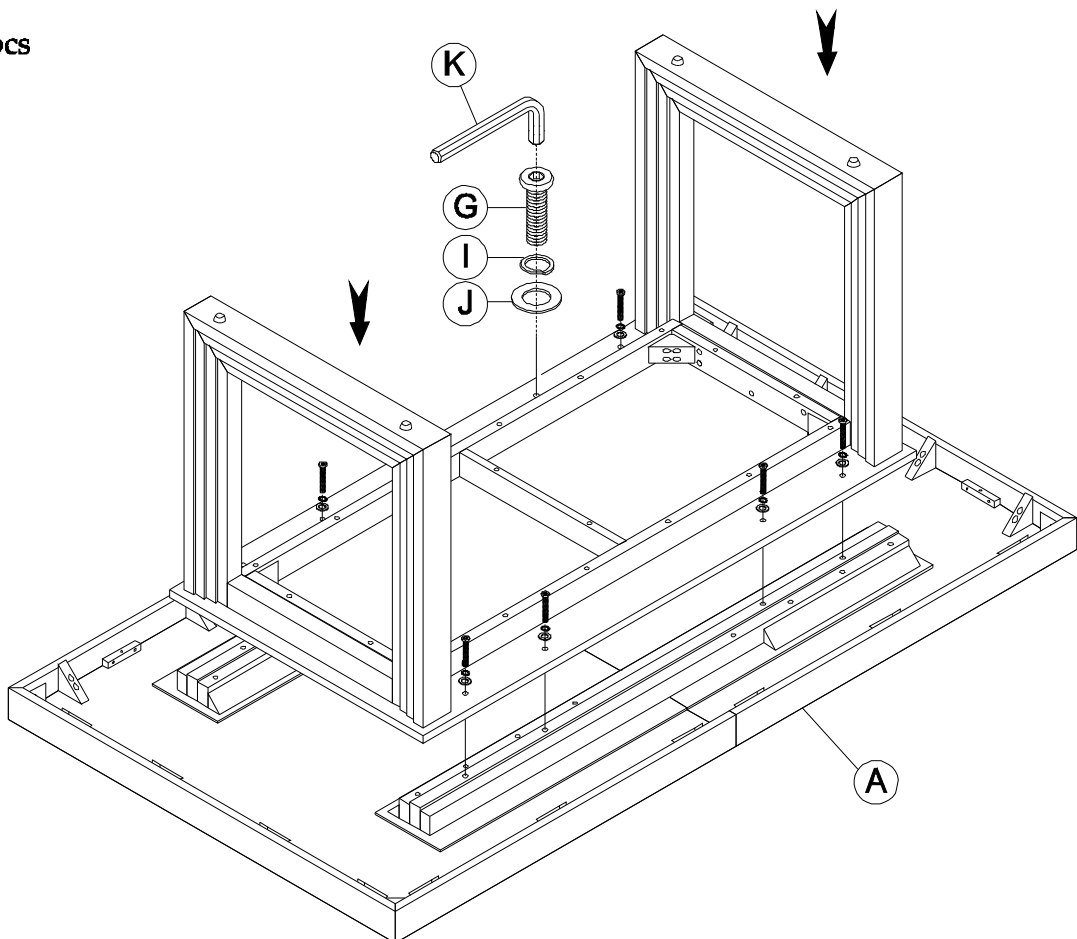
Step 1 : H x 6pcs



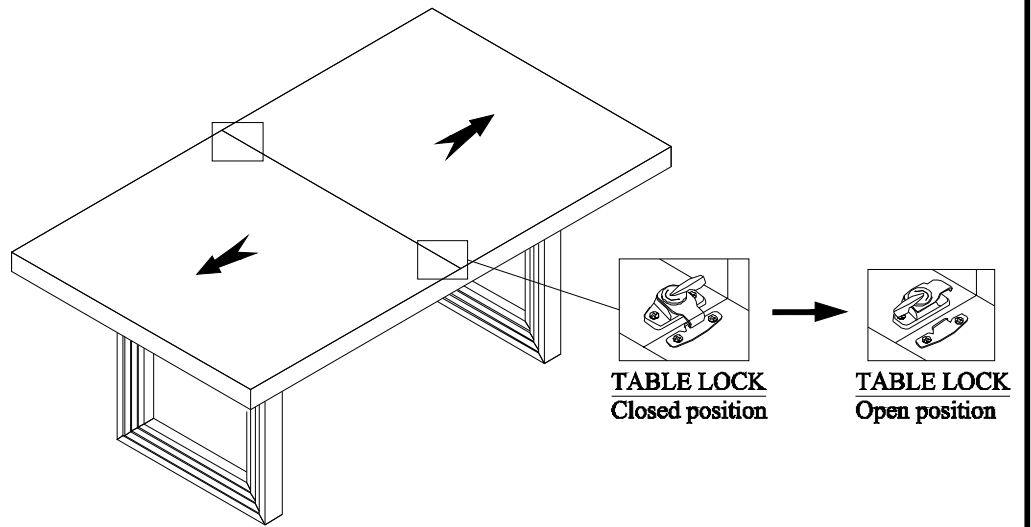
Step 2 : F x 6pcs



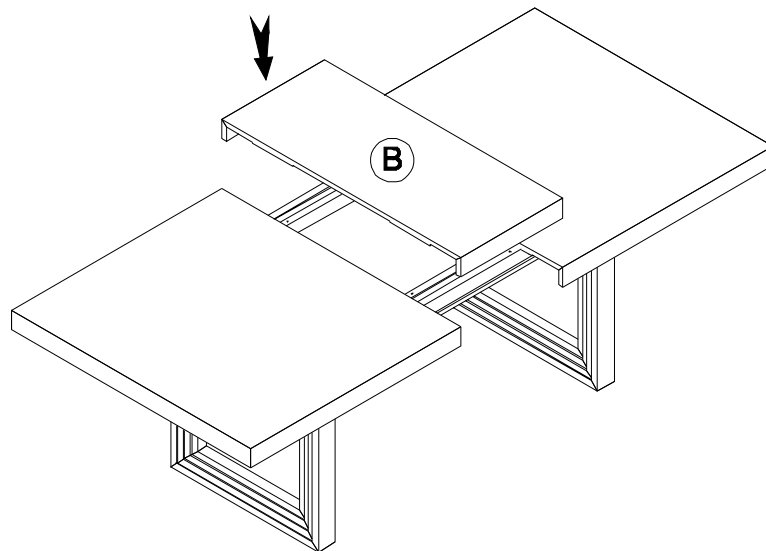
Step 4 : G x 8pcs



Step 5:



Step 6:



Step 7:

